

Uniset drawer 851 H150



Uniset 851 in height 150mm

Benefits for the industry

- Large range of dimensions from 250 to 550 mm depth
- Identical width for wooden bottom and back panel
- Unilateral restraint-guiding to compensate for furniture tolerances
- Simple bottom mounting for ease of assembly
- Strong front fix with 64mm spacing
- Vertical front adjustment +/-1.5mm up and down
- Horizontal front adjustment +/-1.5mm left and right
- Lasting quality thanks to optimised materials
- Choice of colours to match furniture finish
- Excellent load ability with 25kg standard capacity throughout the range
- 851 screw fixing and 861 dowel fixing drawer versions
- NoTool application for SlowMotion Zeta Anyway

Benefits for the consumer

- Smooth functioning thanks to new generation of wheel design and epoxy finish
- Long self-closing feature for secure and controlled closing
- Small extraction loss due to compact build
- Straight inner wall for space optimisation
- Ease of drawer extraction for cleaning
- Excellent load ability with 25kg standard capacity

DRAWER 851

Screw fixing brackets

| Description | Packing |
|------------------------------|------------|
| Uniset drawer 851 H150 - 250 | 10 per box |
| Uniset drawer 851 H150 - 270 | 10 per box |
| Uniset drawer 851 H150 - 350 | 10 per box |
| Uniset drawer 851 H150 - 400 | 10 per box |
| Uniset drawer 851 H150 - 450 | 10 per box |
| Uniset drawer 851 H150 - 500 | 10 per box |
| Uniset drawer 851 H150 - 550 | 10 per box |

[^] brackets: 1 = with premounted brackets / 0 = with unassembled brackets.

* colour codes: 1 = White Ral 9010 / 6 = Grey Ral 7004 / 8 = Silver Ral 9006.

[°] drawer: 0 = Standard version / R = NoTool version.

10x10 Dowel fixing brackets

| Description | Packing |
|------------------------------|------------|
| Uniset drawer 861 H150 - 250 | 10 per box |
| Uniset drawer 861 H150 - 270 | 10 per box |
| Uniset drawer 861 H150 - 350 | 10 per box |
| Uniset drawer 861 H150 - 400 | 10 per box |
| Uniset drawer 861 H150 - 450 | 10 per box |
| Uniset drawer 861 H150 - 500 | 10 per box |
| Uniset drawer 851 H150 - 550 | 10 per box |

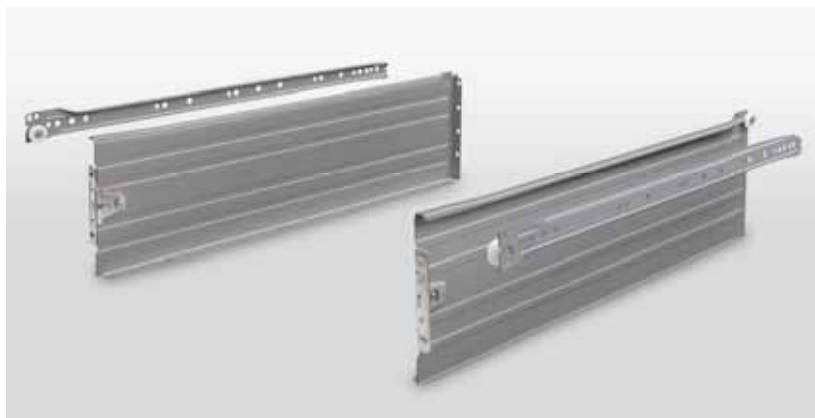
[^] brackets: 1 = with premounted brackets / 0 = with unassembled brackets.

* colour codes: 1 = White Ral 9010 / 6 = Grey Ral 7004 / 8 = Silver Ral 9006.

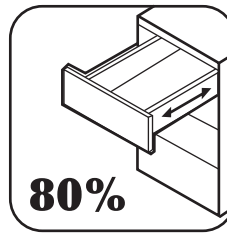
[°] drawer: 0 = Standard version / R = NoTool version.



Uniset R NoTool version for SlowMotion Zeta application

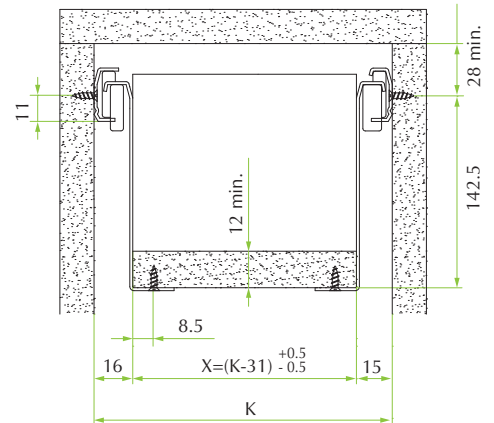
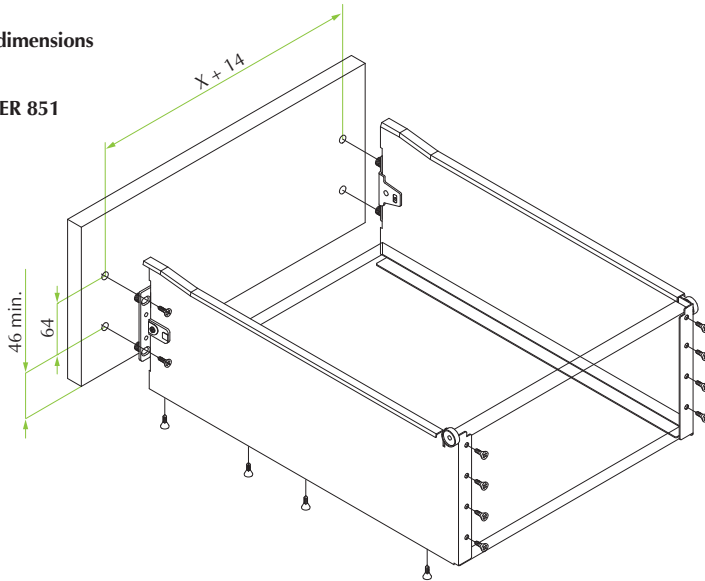


Uniset drawer grey finish



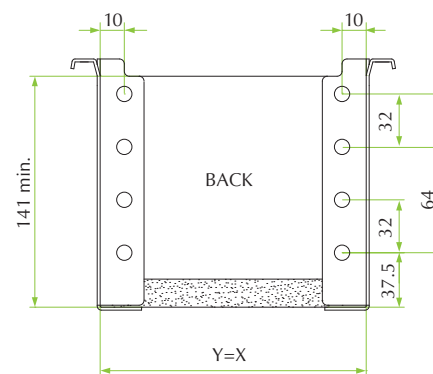
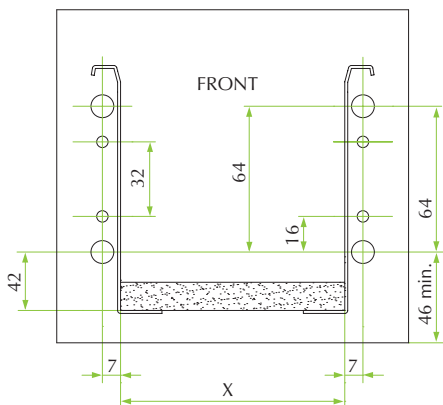
Fixing dimensions

DRAWER 851



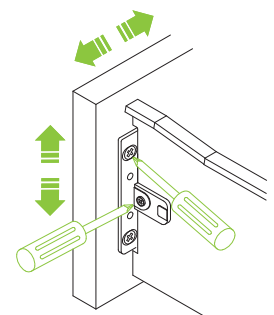
Front & back drilling pattern

X = BOTTOM WIDTH
Y = BACK WIDTH
K = INTERNAL CABINET WIDTH

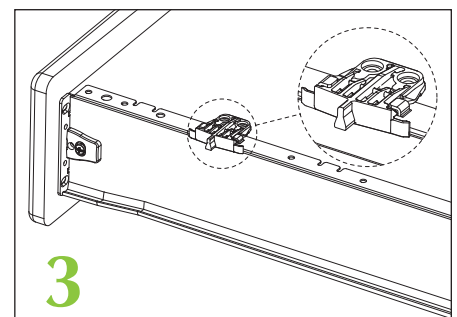
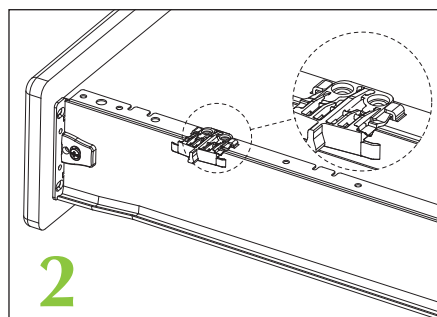
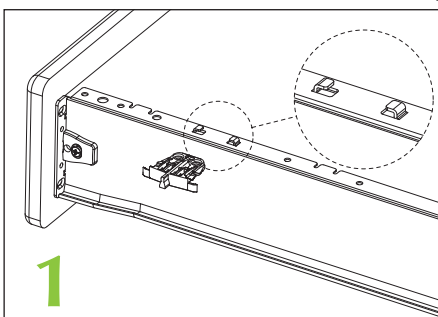


Adjustments

+1.5
-1.5



Uniset R NoTool version for SlowMotion Zeta application



Values given in mm

