

# Uniset drawer 751 H117



## Uniset 751 in height 117mm

### Benefits for the industry

- Large range of dimensions from 250 to 550 mm depth
- Identical width for wooden bottom and back panel
- Unilateral restraint-guiding to compensate for furniture tolerances
- Simple bottom mounting for ease of assembly
- Strong front fix with 64mm spacing
- Vertical front adjustment +/-1.5mm up and down
- Horizontal front adjustment +/- 1.5mm left and right
- Lasting quality thanks to optimised materials
- Choice of colours to match furniture finish
- Excellent load ability with 25kg standard capacity throughout the range
- 751 screw fixing and 761 dowel fixing drawer versions
- NoTool application for SlowMotion Zeta Anyway

### Benefits for the consumer

- Smooth functioning thanks to new generation of wheel design and epoxy finish
- Long self-closing feature for secure and controlled closing
- Small extraction loss due to compact build
- Straight inner wall for space optimisation
- Ease of drawer extraction for cleaning
- Excellent load ability with 25kg standard capacity

## DRAWER 751 Screw

### fixing brackets


### Description

Uniset drawer 751 H117 - 250
Uniset drawer 751 H117 - 270
Uniset drawer 751 H117 - 350
Uniset drawer 751 H117 - 400
Uniset drawer 751 H117 - 450
Uniset drawer 751 H117 - 500
Uniset drawer 751 H117 - 550

### Packing

10 per box
10 per box
10 per box
10 per box
10 per box
10 per box
10 per box

<sup>^</sup> brackets: 1 = with premounted brackets / 0 = with unassembled brackets.  
<sup>\*</sup> colour codes: 1 = White Ral 9010 / 6 = Grey Ral 7004 / 8 = Silver Ral 9006.  
<sup>°</sup> drawer: 0 = Standard version / R = NoTool version.

### 10x10 Dowel fixing brackets


### Description

Uniset drawer 761 H117 - 250
Uniset drawer 761 H117 - 270
Uniset drawer 761 H117 - 350
Uniset drawer 761 H117 - 400
Uniset drawer 761 H117 - 450
Uniset drawer 761 H117 - 500
Uniset drawer 761 H117 - 550

### Packing

10 per box
10 per box
10 per box
10 per box
10 per box
10 per box
10 per box

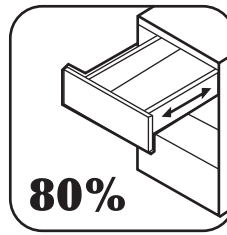
<sup>^</sup> brackets: 1 = with premounted brackets / 0 = with unassembled brackets.  
<sup>\*</sup> colour codes: 1 = White Ral 9010 / 6 = Grey Ral 7004 / 8 = Silver Ral 9006.  
<sup>°</sup> drawer: 0 = Standard version / R = NoTool version.



Uniset R NoTool version for SlowMotion Zeta application

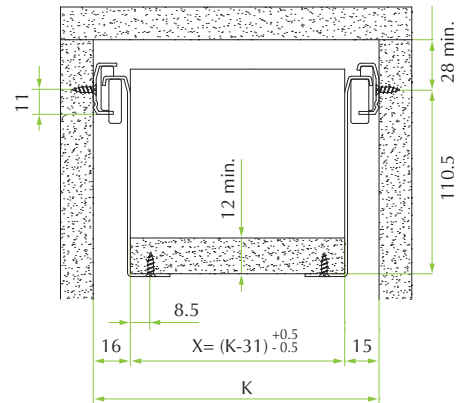
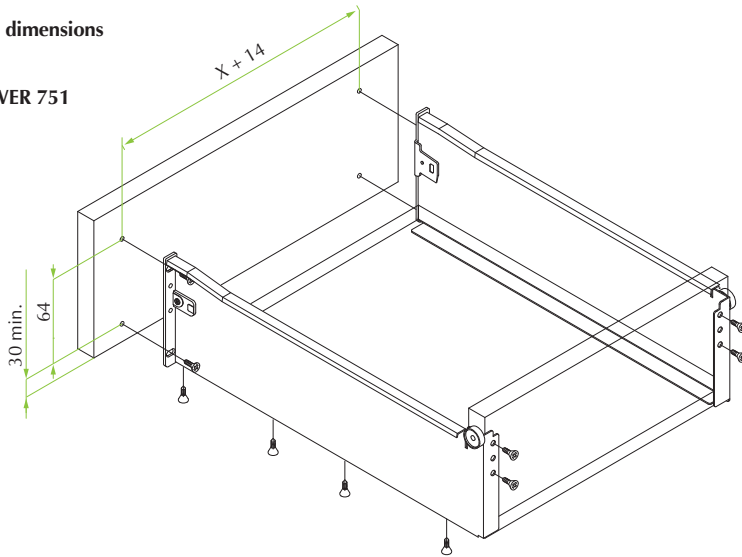


Uniset drawer grey finish



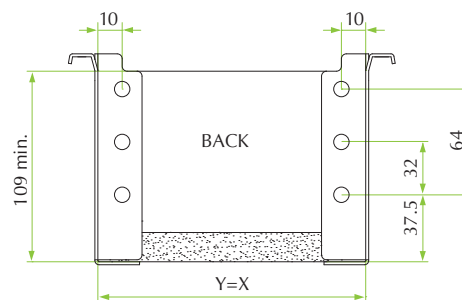
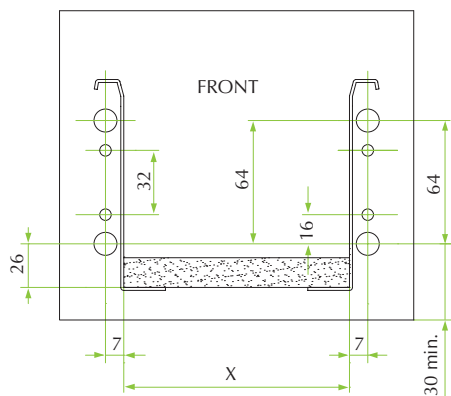
**Fixing dimensions**

**DRAWER 751**

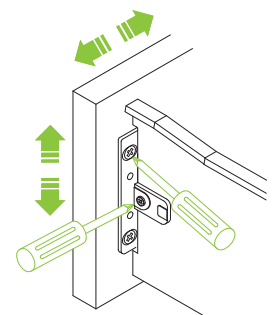


**Front & back drilling pattern**

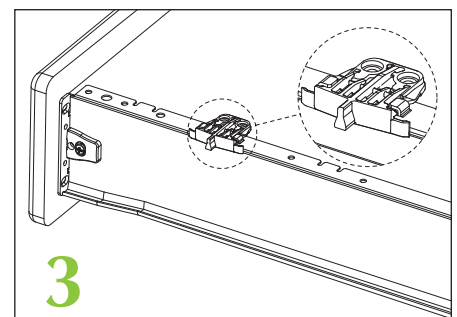
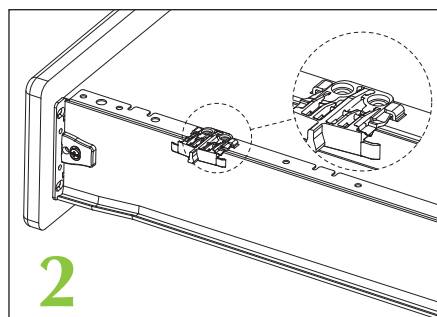
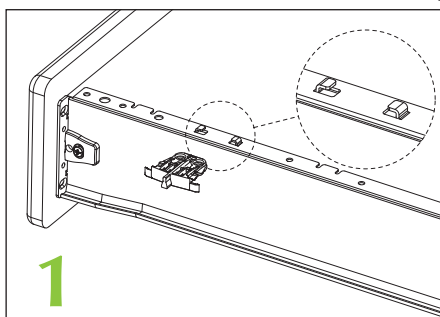
**X = BOTTOM WIDTH**  
**Y = BACK WIDTH**  
**K = INTERNAL CABINET WIDTH**



**Adjustments**



**Uniset R NoTool version for SlowMotion Zeta application**



Values given in mm

