

Uniset drawer 651 H85



Uniset 651 in height 85mm

Benefits for the industry

- Large range of dimensions from 250 to 550 mm depth
- Identical width for wooden bottom and back panel
- Unilateral restraint-guiding to compensate for furniture tolerances
- Simple bottom mounting for ease of assembly
- Strong front fix with 64mm spacing
- Vertical front adjustment +/-1.5mm up and down
- Horizontal front adjustment +/-1.5mm left and right
- Lasting quality thanks to optimised materials
- Choice of colours to match furniture finish
- Excellent load ability with 25kg standard capacity throughout the range
- 651 screw fixing and 661 dowel fixing drawer versions
- NoTool application for SlowMotion Zeta Anyway

Benefits for the consumer

- Smooth functioning thanks to new generation of wheel design and epoxy finish
- Long self-closing feature for secure and controlled closing
- Small extraction loss due to compact build
- Straight inner wall for space optimisation
- Ease of drawer extraction for cleaning
- Excellent load ability with 25kg standard capacity

DRAWER 651 Screw

fixing brackets

Description

Uniset drawer 651 H85 - 250
Uniset drawer 651 H85 - 270
Uniset drawer 651 H85 - 350
Uniset drawer 651 H85 - 400
Uniset drawer 651 H85 - 450
Uniset drawer 651 H85 - 500
Uniset drawer 651 H85 - 550

Packing

10 per box
10 per box
10 per box
10 per box
10 per box
10 per box
10 per box

[^] brackets: 1 = with premounted brackets / 0 = with unassembled brackets.
^{*} colour codes: 1 = White Ral 9010 / 6 = Grey Ral 7004 / 8 = Silver Ral 9006.
[°] drawer: 0 = Standard version / R = NoTool version.

10x10 Dowel fixing brackets

Description

Uniset drawer 661 H85 - 250
Uniset drawer 661 H85 - 270
Uniset drawer 661 H85 - 350
Uniset drawer 661 H85 - 400
Uniset drawer 661 H85 - 450
Uniset drawer 661 H85 - 500
Uniset drawer 661 H85 - 550

Packing

10 per box
10 per box
10 per box
10 per box
10 per box
10 per box
10 per box

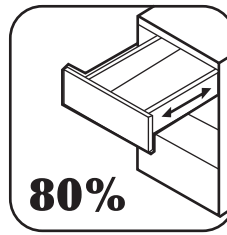
[^] brackets: 1 = with premounted brackets / 0 = with unassembled brackets.
^{*} colour codes: 1 = White Ral 9010 / 6 = Grey Ral 7004 / 8 = Silver Ral 9006.
[°] drawer: 0 = Standard version / R = NoTool version.



Uniset R NoTool version for SlowMotion Zeta application

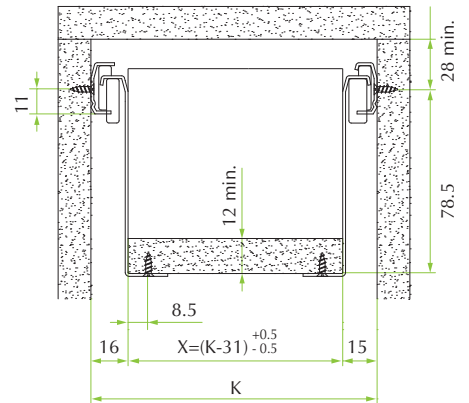
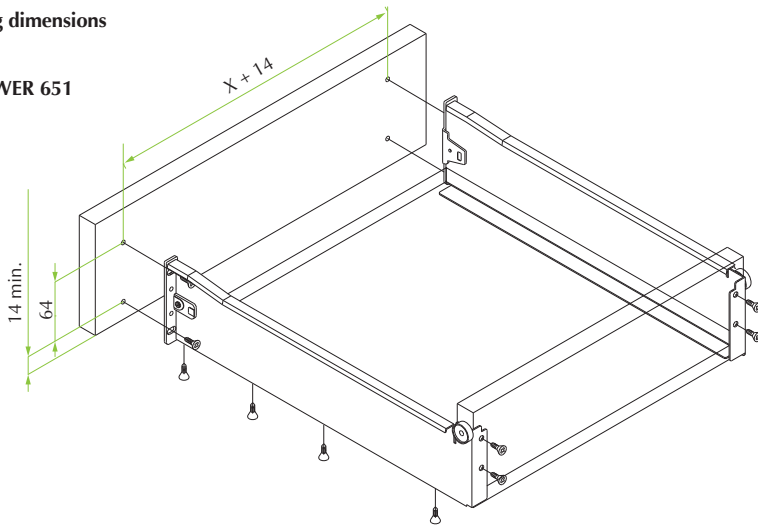


Uniset drawer grey finish



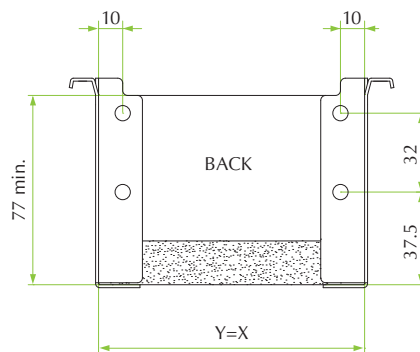
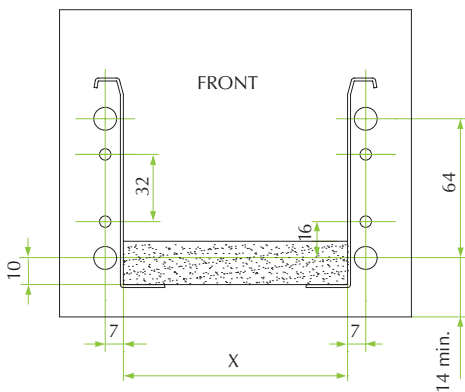
Fixing dimensions

DRAWER 651

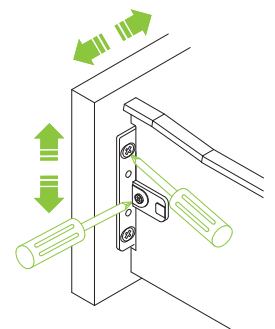


Front & back drilling pattern

X = BOTTOM WIDTH
Y = BACK WIDTH
K = INTERNAL CABINET WIDTH



Adjustments



Uniset R NoTool version for SlowMotion Zeta application

